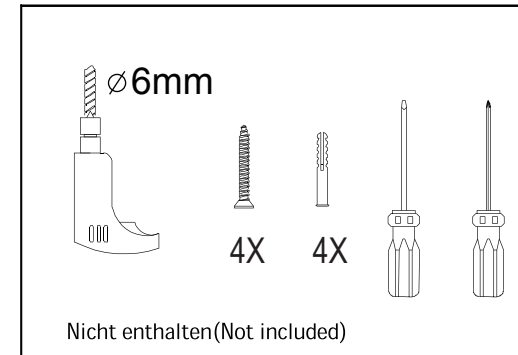
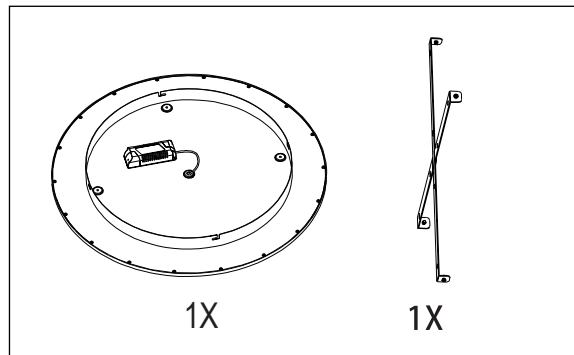
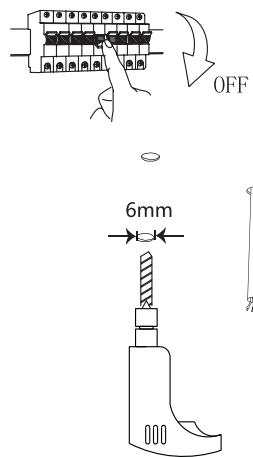


EGLO LED panel light

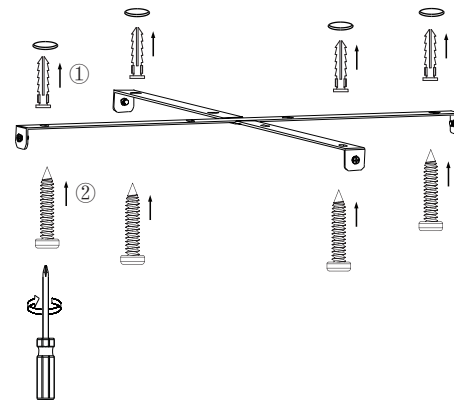
Art.-Nr.: 98125



A

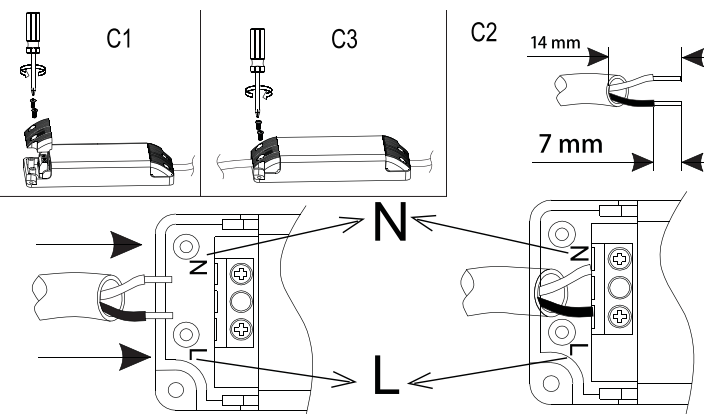


B

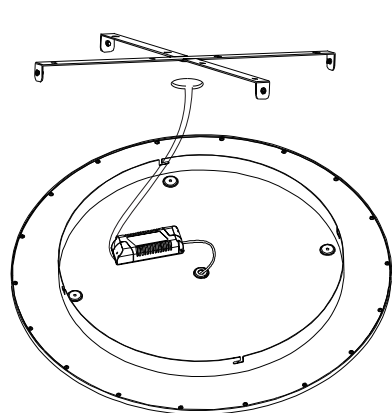


C

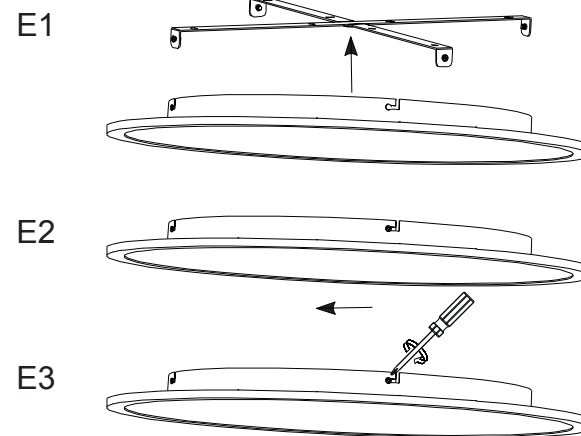
Driver Installation (Fig.1)



D



E



F

